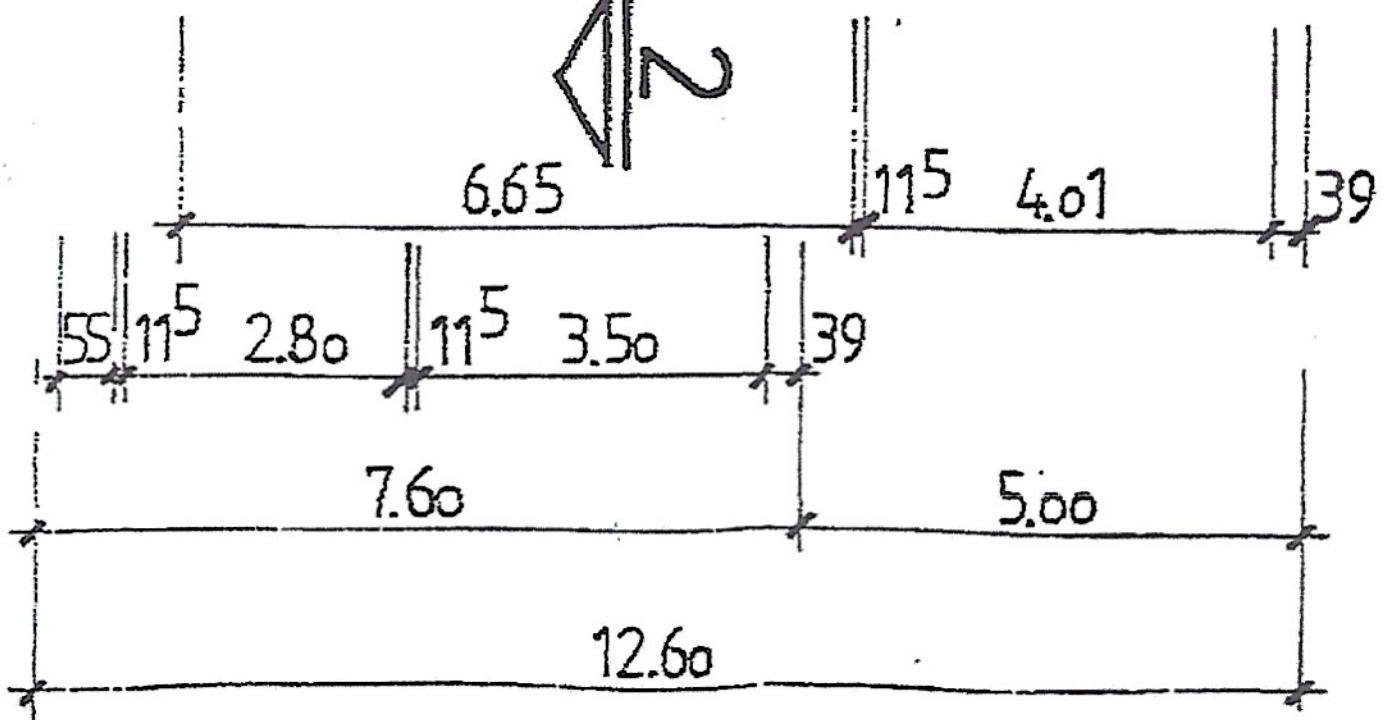
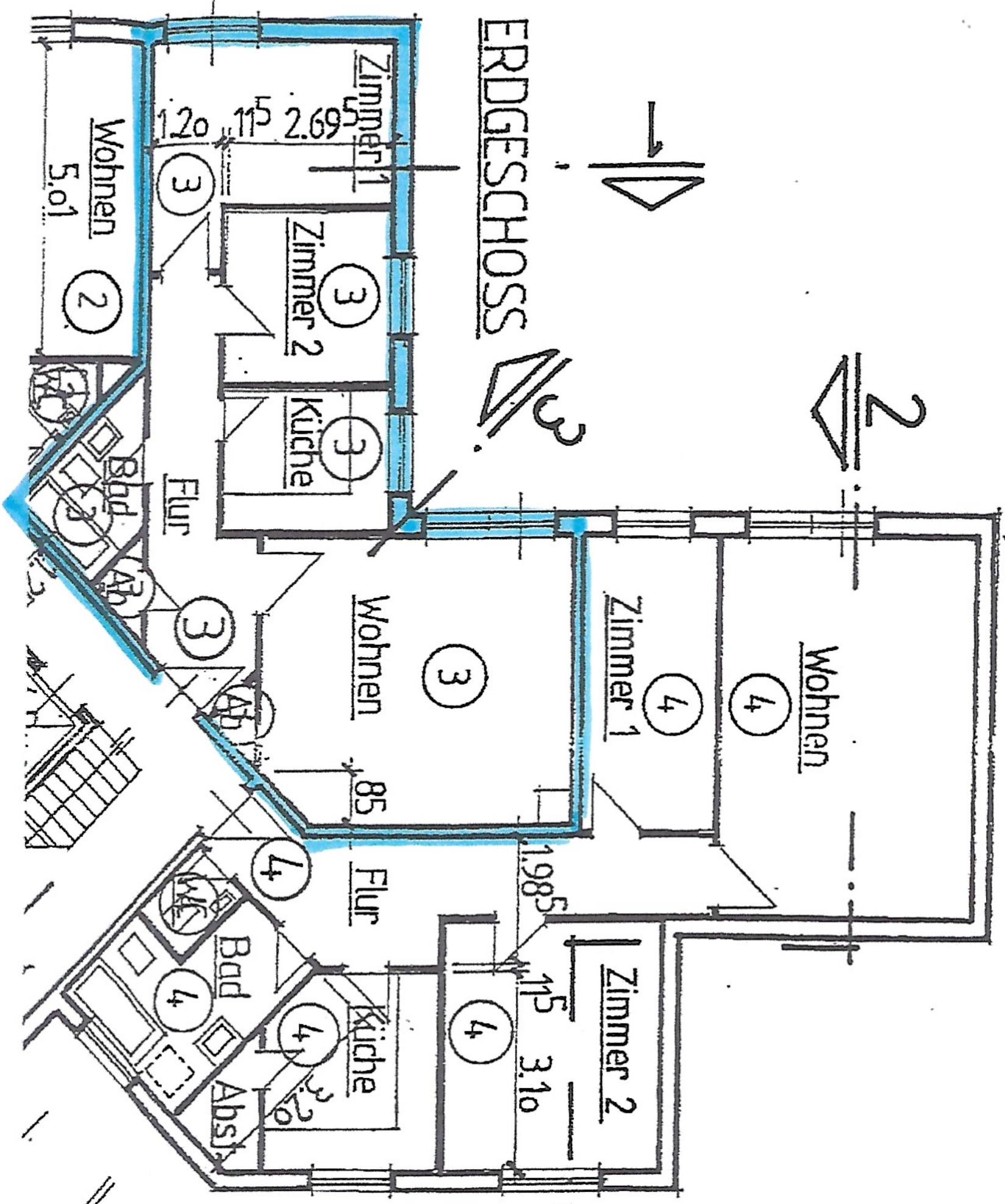
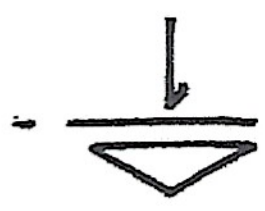


39	3.70	115	17.55	115	2.20	115	4.68	24	1.20	115	3.885	39
----	------	-----	-------	-----	------	-----	------	----	------	-----	-------	----

ERDGESCHOSS



[Handwritten signature]